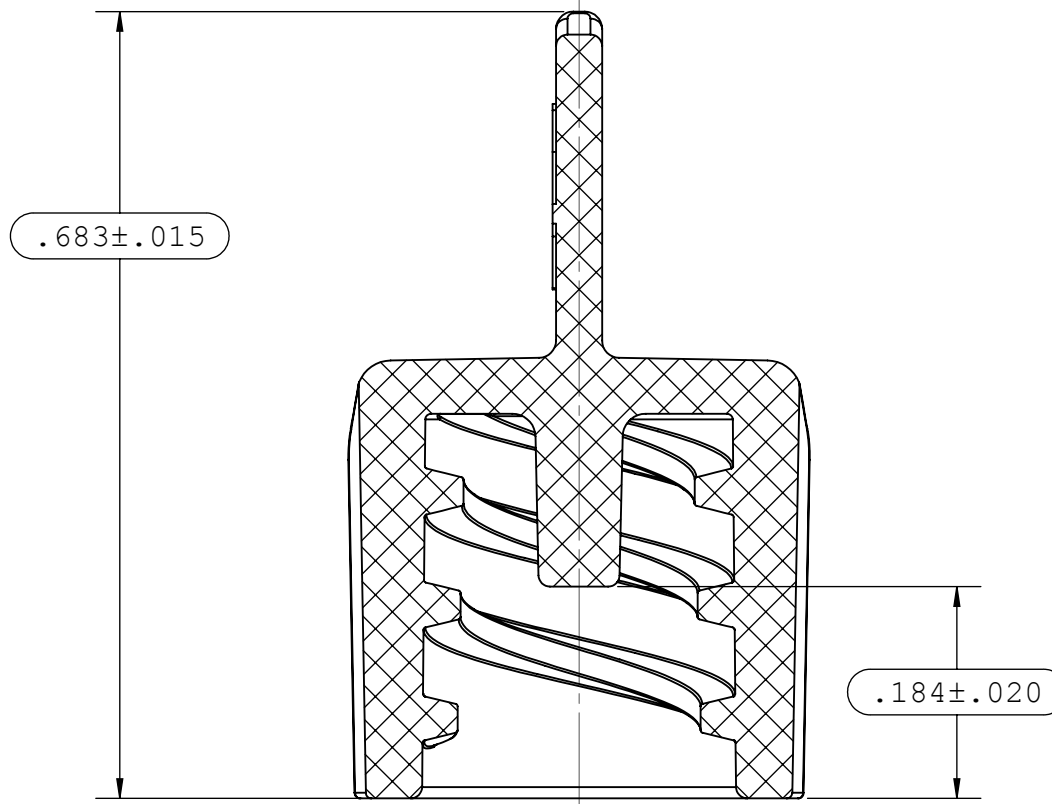
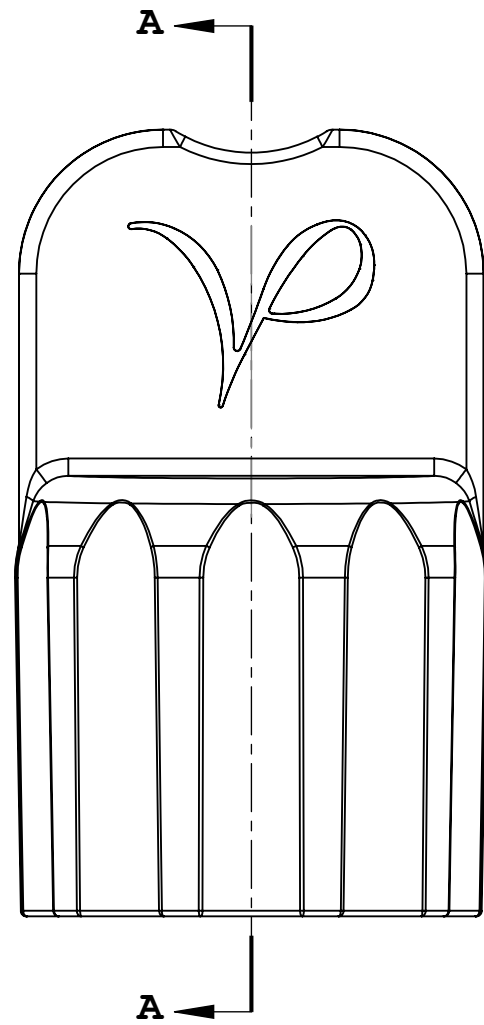
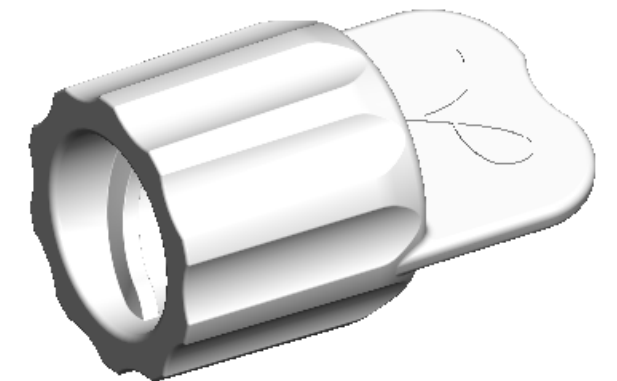
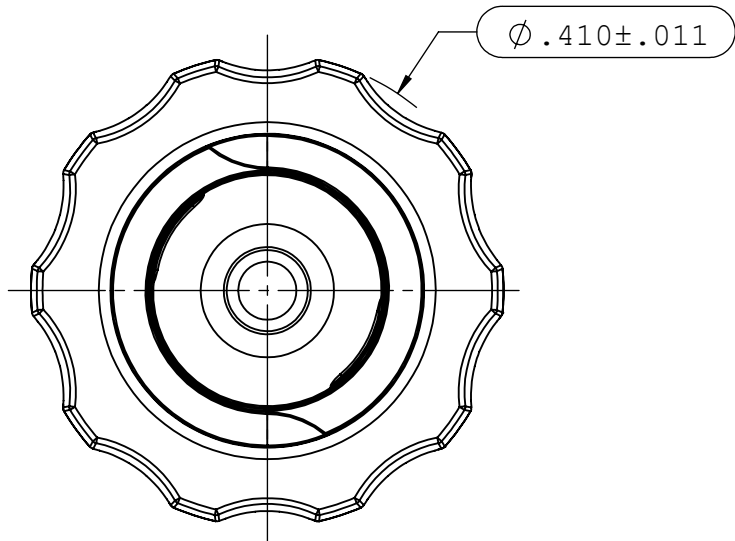


NOTES: FOR ADDITIONAL DETAILS, PLEASE CONTACT VP CUSTOMER SERVICE
 DIMENSIONS MARKED  ARE CONTROL DIMENSIONS

REVISIONS			
REV.	DESCRIPTION	DATE	APPROVED
A	INITIAL RELEASE	12-05-16	FJL



SECTION A-A



UNLESS OTHERWISE SPECIFIED DIMENSIONS ARE IN INCHES TOLERANCES ARE:		VALUE PLASTICS, INC			
FRACTIONS	DECIMAL				
±	.XX ±.01	± 1°	DESCRIPTION:	Neuraxial Male Vented Plug fits Female Connector	
	.XXX ±.005		SIZE:	B	
	.XXXX ±.001		SCALE:	NTS	
DO NOT SCALE DRAWING		DATE:	VER:	DWG. NO.	REV
DRAWN BY:	Pete L.	12/7/2016		1042007	A
MANAGER:	Frank.Lombardi	© 2014 VALUE PLASTICS, INC		SHEET:	1 OF 1

FOR REFERENCE ONLY